

THIS DRAWING IS UNPUBLISHED.

RELEASED FOR PUBLICATION

20

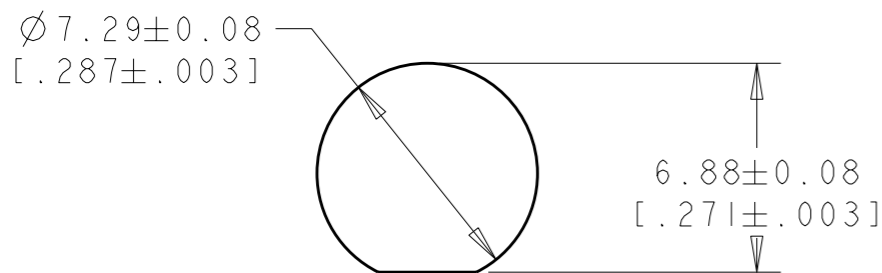
© COPYRIGHT 20 BY -

ALL RIGHTS RESERVED.

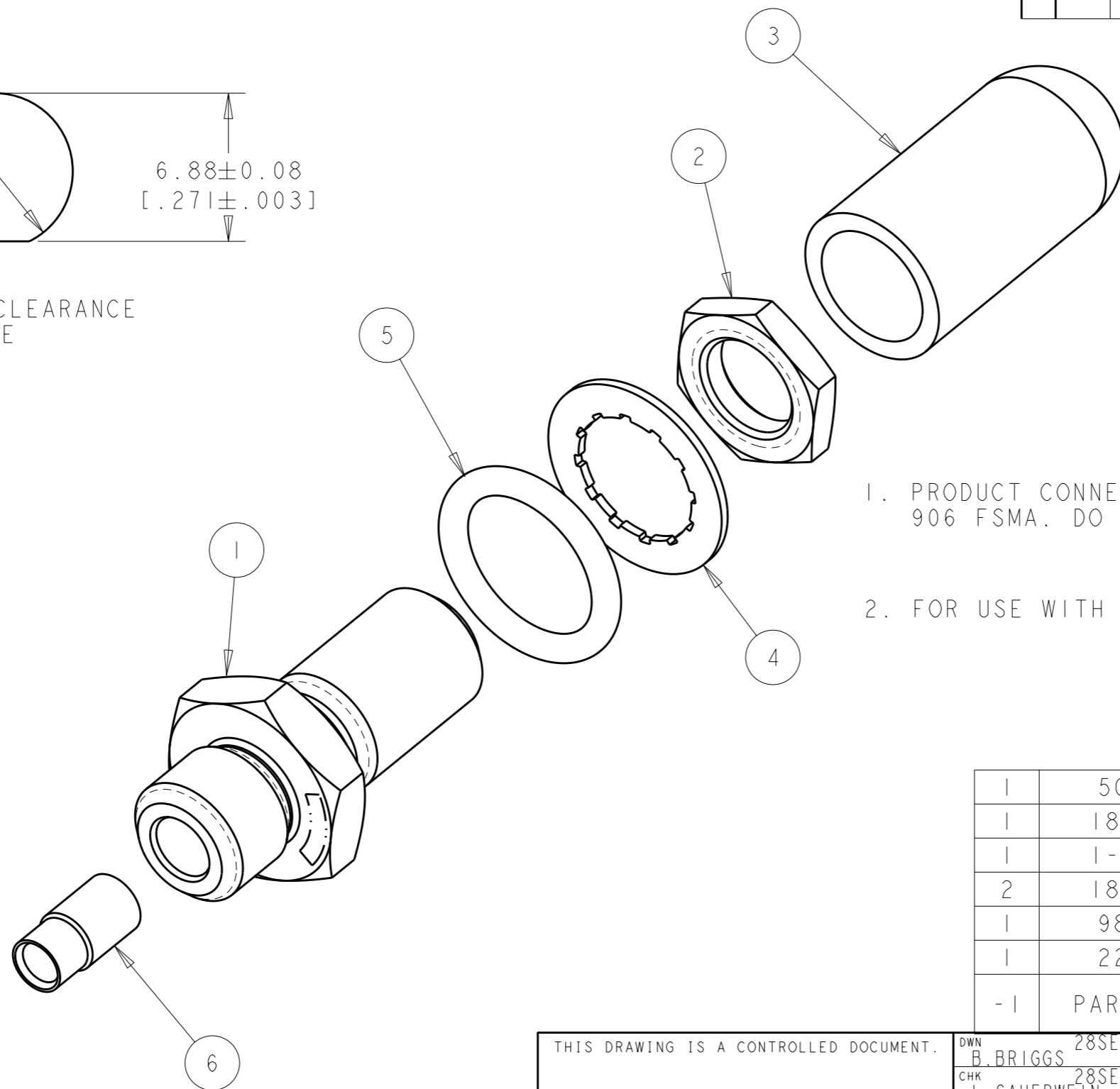
LOC CE DIST 00

REVISIONS

P	LTR	DESCRIPTION	DATE	DWN	APVD
	J	REVISED PER ECR 11-022976	13NOV2011	DLF	LS



SUGGESTED CLEARANCE HOLE

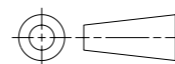


1. PRODUCT CONNECTS 905 FSMA TO 905 FSMA OR 906 FSMA TO 906 FSMA. DO NOT CONNECT 905 TO 906.
2. FOR USE WITH 7.0[0.281] MAXIMUM PANEL THICKNESS.

1	501047-1	ALIGNMENT SLEEVE, FULL	6
1	1828900-1	O RING SEAL	5
1	1-22145-3	LOCK WASHER	4
2	1828874-6	PROTECTIVE CAP	3
1	981155-4	JAM NUT	2
1	228053-2	COUPLING BUSHING, FSMA	1
-1	PART NUMBER	DESCRIPTION	ITEM NO.

THIS DRAWING IS A CONTROLLED DOCUMENT.

DIMENSIONS:  
mm [INCHES]



TOLERANCES UNLESS OTHERWISE SPECIFIED:

0 PLC	±-
1 PLC	±-
2 PLC	±-
3 PLC	±-
4 PLC	±-
ANGLES	±-

MATERIAL

FINISH

DWN 28SEP2005

B. BRIGGS

CHK 28SEP2005

L. SAUERWEIN

APVD 28SEP2005

S. BUCHTER

PRODUCT SPEC

-

APPLICATION SPEC

-

WEIGHT

-

CUSTOMER DRAWING

**STE** TE Connectivity

NAME  
COUPLING BUSHING KIT,  
SEALED, FSMA

SIZE CAGE CODE DRAWING NO RESTRICTED TO

A300779 C-501050 -

SCALE 4:1 SHEET OF REV J